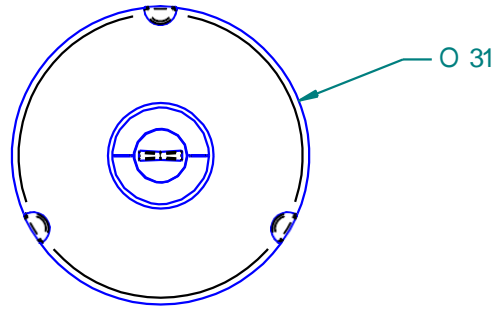


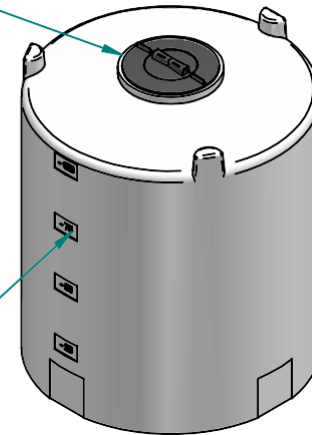
REVISION HISTORY

REV	DESCRIPTION	DATE	APPROVED
10	UPDATED DRAWINGS ACCORDING TO CURRENT TANK	03/29/11	



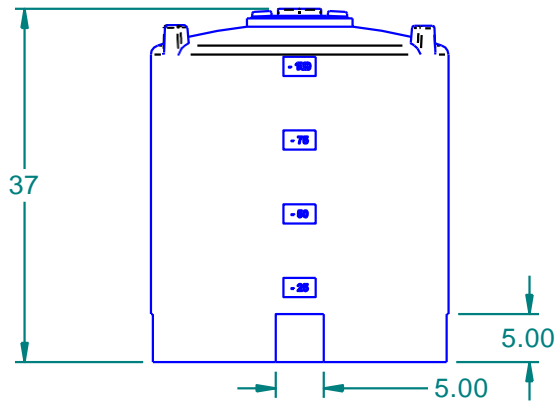
Top View

8 in MANWAY




TANK IS CALIBRATED IN 25 GAL INCREMENTS

ISO View



Side View

wall thickness:0.220"

				
				16160 Hwy 27 Lake Wales, FL 33859
DRAWN	NAME	DATE	TITLE	
CHECKED	mnegron	01/18/05	100 Gal Vertical Tank	
ENG APPR			SIZE	MATERIAL
MGR APPR			A	LLDPE Resin NATURAL
UNLESS OTHERWISE SPECIFIED DIMENSIONS ARE IN INCHES ANGLES ±0.5° 2 PL ±0.125" 3 PL ±0.060"			FILE NAME:	REV
			V-100 Vertical 02.dft	10
PART#		WEIGHT	SHEET	
#900100		32.830 lbm	1 OF 1	