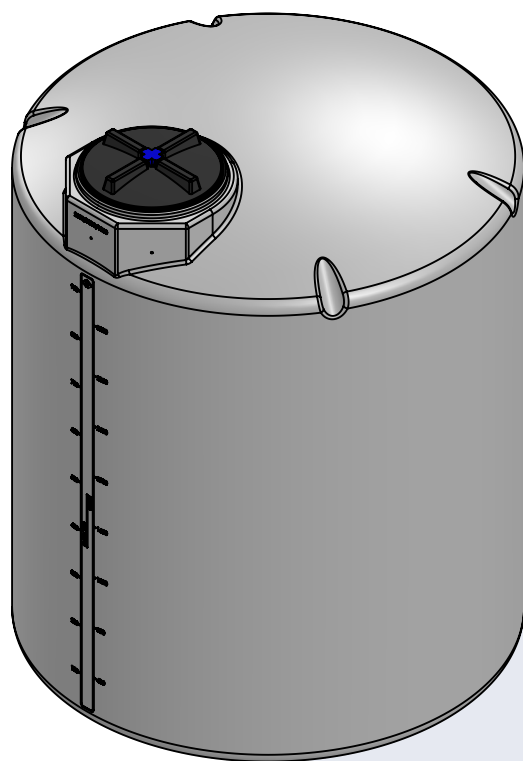
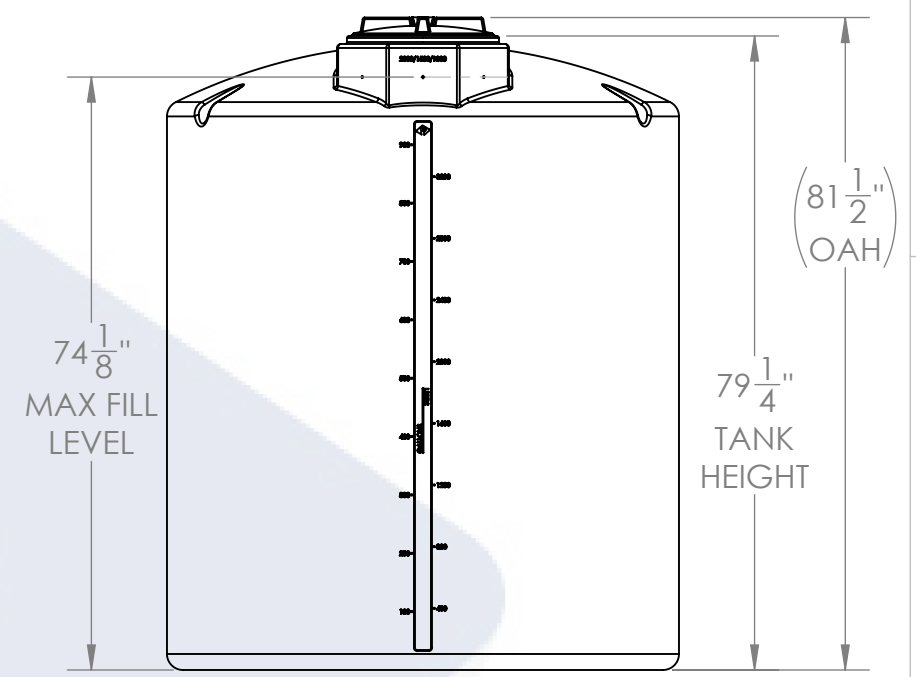
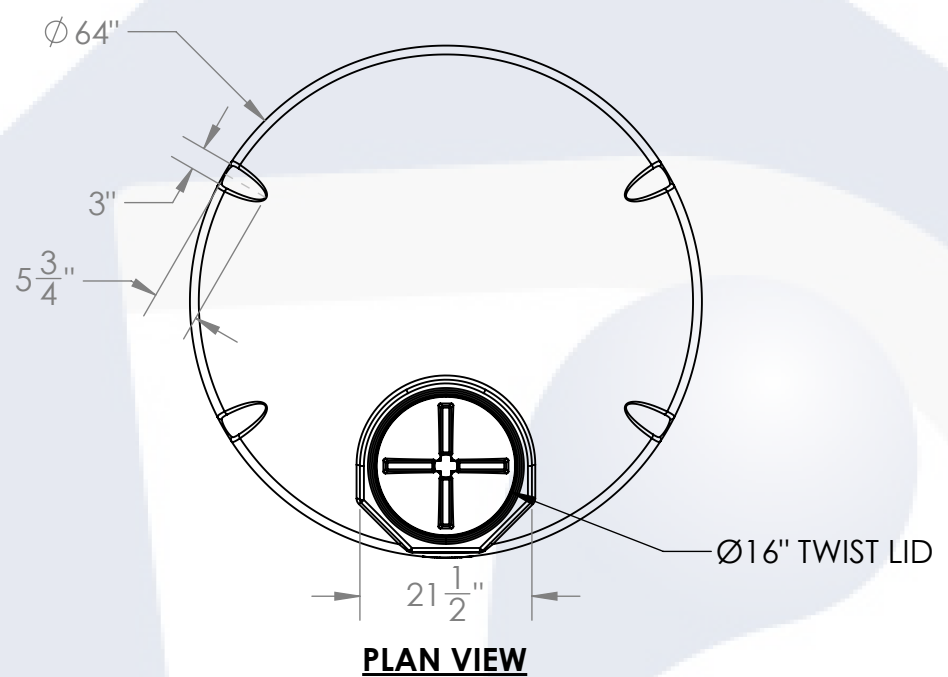


D
C
B
A



**ISOMETRIC VIEW
(FRONT)**



Ø64" X 82" 1000G PROCHEM TANK	PART NUMBER
	PROCESS CHEMICAL (NATURAL)
LPE (1.5)	01-35272
LPE (1.9)	01-35273
XLPE (1.9)	01-35274

ALTERNATIVE MATERIALS, COLOR, AND ACCESSORIES ARE AVAILABLE. CALL FOR ADDITIONAL INFO

- NOTES:**
- CAPACITY: 1000 GAL. NOMINAL
 - TANK MATERIAL OPTIONS: LPE 1.5, LPE 1.9, XLPE, FDA WATER, PPL, PVDF
 - SERVICE PRESSURE: ATMOSPHERIC
 - NSF/ANSI STANDARD 61 CERTIFIED
 - AVAILABLE W/FRP WRAP
CONTACT CUSTOMER SERVICE FOR MORE INFO

PROPRIETARY AND CONFIDENTIAL
 THE INFORMATION CONTAINED IN THIS DRAWING IS THE SOLE PROPERTY OF PEABODY ENGINEERING. ANY REPRODUCTION IN PART OR AS A WHOLE WITHOUT THE WRITTEN PERMISSION OF PEABODY ENGINEERING IS PROHIBITED.

UNLESS OTHERWISE SPECIFIED:		NAME	DATE	
DIMENSIONS ARE IN INCHES TOLERANCES: $\pm 1/4''$ ANGULAR: $\pm .5^\circ$ ONE PLACE DECIMAL: $\pm .25$ TWO PLACE DECIMAL: $\pm .125$ THREE PLACE DECIMAL: $\pm .063$		SMF	04/05/23	
TANK MATERIAL:		DRAWN		PROJECT: PROCHEM® TANKS
INNER TANK S/N:		CHECKED		CUSTOMER: PEABODY STANDARD
OUTER TANK S/N:		ENG APPR.		SITE/LOCATION: -
CUSTOMER PO#		MFG APPR.		SALES ORDER: SEE TABLE
DO NOT SCALE DRAWING		Q.A.		SIZE B DESC. Ø64" X 82" 1000G PROCHEM TANK REV. A SCALE: 1:24 SHEET 1 OF 1