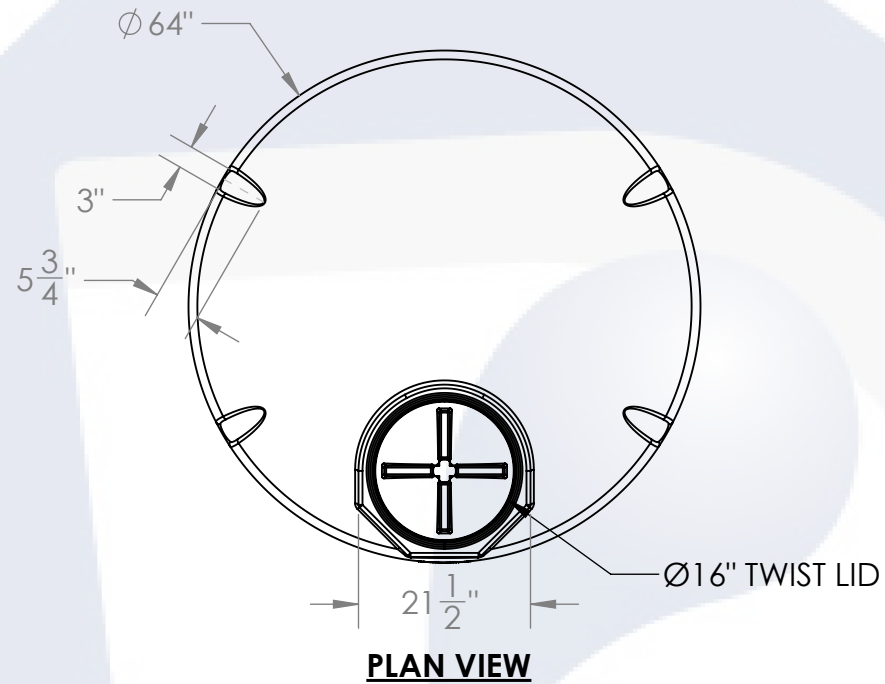
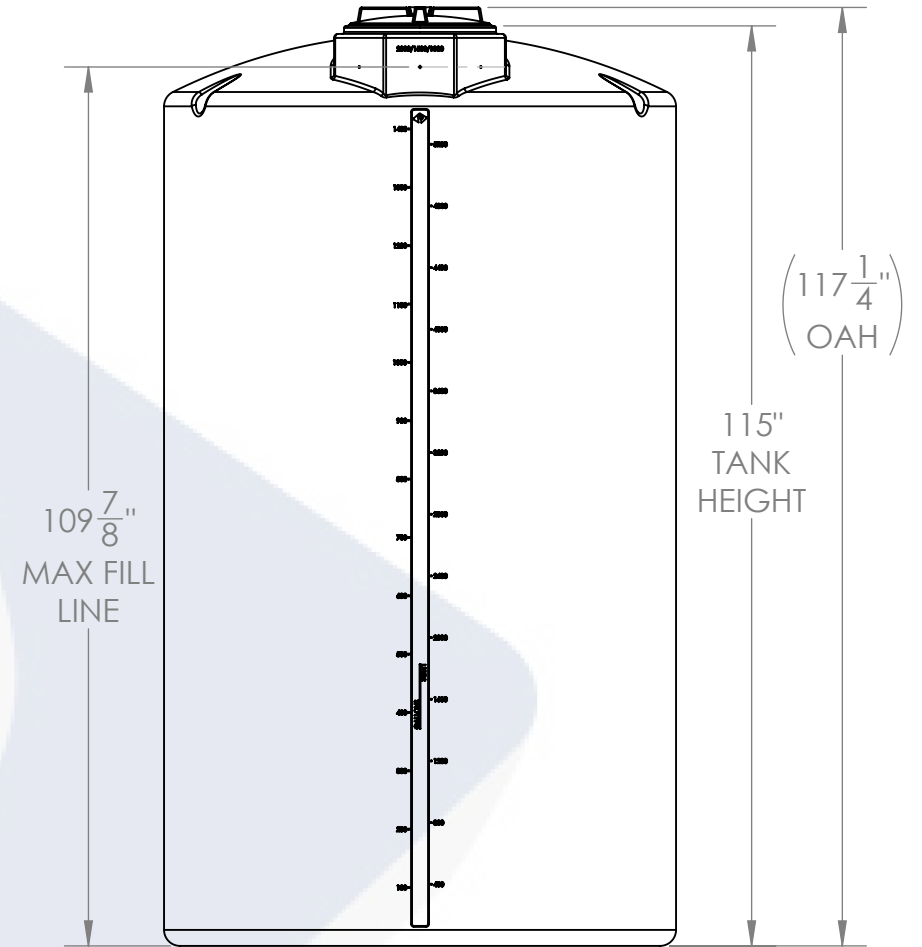


**ISOMETRIC VIEW  
(FRONT)**



**PLAN VIEW**



**FRONT VIEW**

Ø64" X 118" 1500G PROCHEM TANK	PART NUMBER
	PROCESS CHEMICAL (NATURAL)
LPE (1.5)	01-35275
LPE (1.9)	01-35276
XLPE (1.9)	01-35277

ALTERNATIVE MATERIALS, COLOR, AND ACCESSORIES ARE AVAILABLE. CALL FOR ADDITIONAL INFO

**NOTES:**

- CAPACITY: 1500 GAL. NOMINAL
- TANK MATERIAL OPTIONS:  
LPE 1.5, LPE 1.9, XLPE, FDA WATER, PPL, PVDF
- SERVICE PRESSURE: ATMOSPHERIC
- NSF/ANSI STANDARD 61 CERTIFIED
- AVAILABLE W/FRP WRAP  
CONTACT CUSTOMER SERVICE FOR MORE INFO

**PROPRIETARY AND CONFIDENTIAL**  
THE INFORMATION CONTAINED IN THIS DRAWING IS THE SOLE PROPERTY OF PEABODY ENGINEERING. ANY REPRODUCTION IN PART OR AS A WHOLE WITHOUT THE WRITTEN PERMISSION OF PEABODY ENGINEERING IS PROHIBITED.

UNLESS OTHERWISE SPECIFIED:  
DIMENSIONS ARE IN INCHES  
TOLERANCES: ±1/4"  
ANGULAR: ±.5°  
ONE PLACE DECIMAL: ±.25  
TWO PLACE DECIMAL: ±.125  
THREE PLACE DECIMAL: ±.063

TANK MATERIAL: -  
INNER TANK S/N:  
OUTER TANK S/N:  
CUSTOMER PO#

DO NOT SCALE DRAWING

	NAME	DATE
DRAWN	SMF	04/10/23
CHECKED		
ENG APPR.		
MFG APPR.		
Q.A.		

			PROJECT:	PROCHEM® TANKS	
			CUSTOMER:	PEABODY STANDARD	
SIZE	DESC.	REV.			
<b>B</b>	Ø64" X 118" 1500G PROCHEM TANK	<b>A</b>			
SCALE: 1:24		SHEET 1 OF 1			