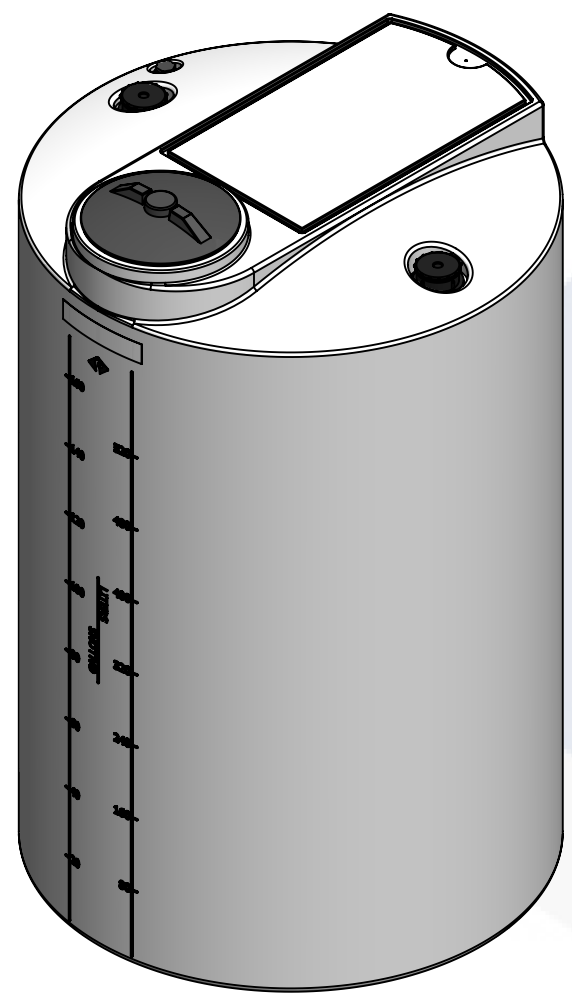
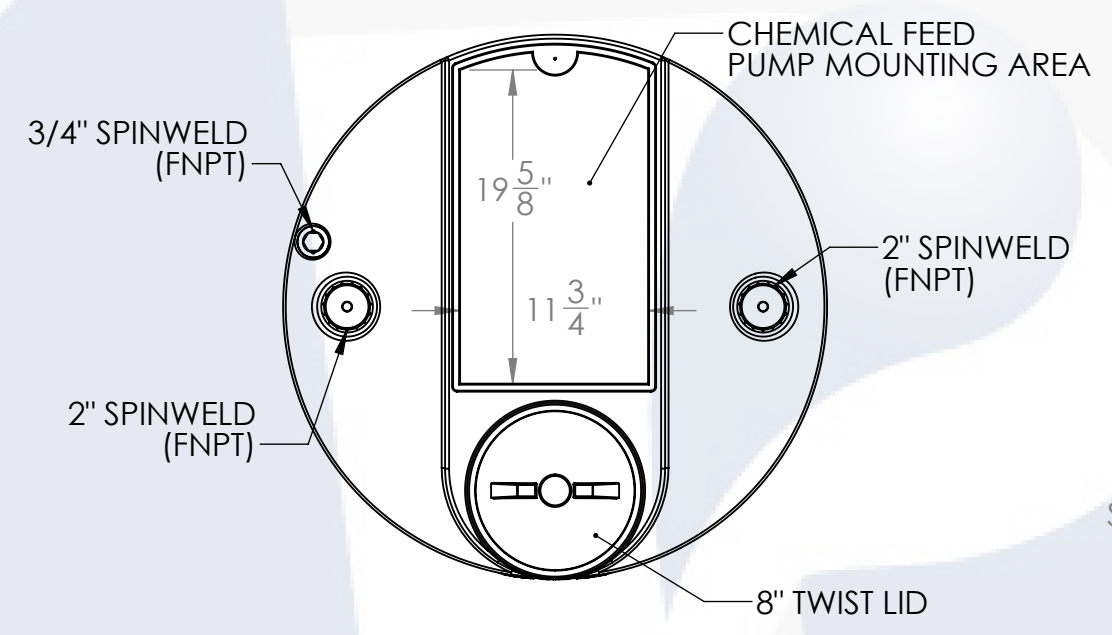


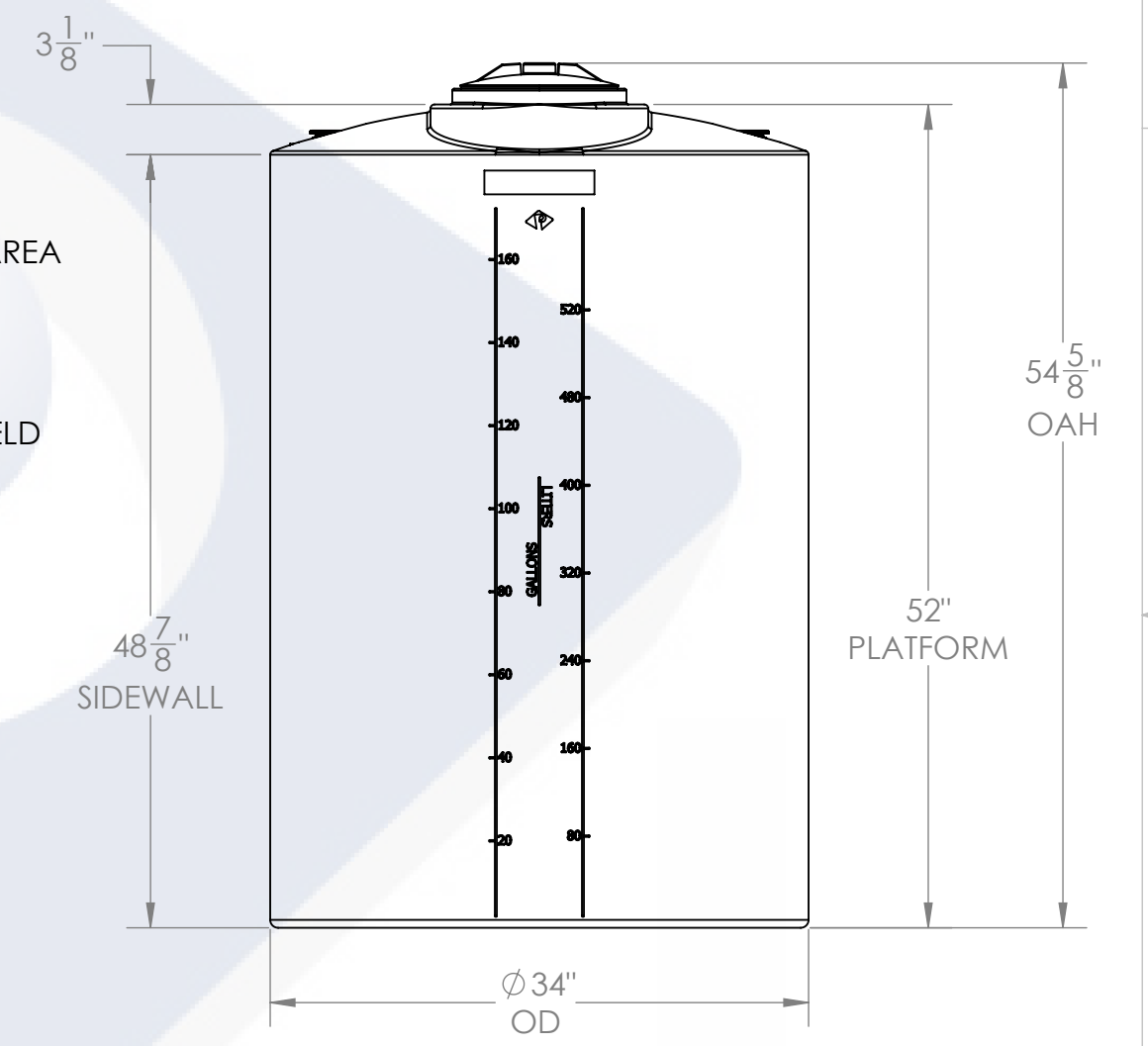
D  
C  
B  
A



**ISOMETRIC VIEW**



**PLAN VIEW**



**FRONT VIEW**

175 GAL PROCHEM® PROCESS TANK, Ø34" x 54.5"	PART NUMBER	
	PROCESS CHEMICAL (NATURAL)	POTABLE WATER (BLACK)
LPE (1.0)	01-34030	01-31870
LPE (1.5)	01-31860	N/A
LPE (1.9)	01-31660	N/A
XLPE (1.9)	01-31663	N/A

ALTERNATIVE MATERIALS, COLOR, AND ACCESSORIES ARE AVAILABLE. CALL FOR ADDITIONAL INFO

- NOTES:**
- CAPACITY: 175 GAL. NOMINAL
  - TANK MATERIAL OPTIONS: LPE 1.5, LPE 1.9, XLPE, FDA WATER, PPL, PVDF
  - SERVICE PRESSURE: ATMOSPHERIC
  - NSF/ANSI STANDARD 61 CERTIFIED
  - AVAILABLE W/FRP WRAP  
CONTACT CUSTOMER SERVICE FOR MORE INFO

**PROPRIETARY AND CONFIDENTIAL**  
THE INFORMATION CONTAINED IN THIS DRAWING IS THE SOLE PROPERTY OF PEABODY ENGINEERING. ANY REPRODUCTION IN PART OR AS A WHOLE WITHOUT THE WRITTEN PERMISSION OF PEABODY ENGINEERING IS PROHIBITED.

UNLESS OTHERWISE SPECIFIED:		NAME	DATE	
DIMENSIONS ARE IN INCHES TOLERANCES: ±1/4" ANGULAR: ±.5° ONE PLACE DECIMAL: ±.25 TWO PLACE DECIMAL: ±.125 THREE PLACE DECIMAL: ±.063		DRAWN	AAF 11/01/19	
TANK MATERIAL:		CHECKED		
INNER TANK S/N:		ENG APPR.		
OUTER TANK S/N:		MFG APPR.		PROJECT: PROCHEM® TANKS
CUSTOMER PO#		Q.A.		CUSTOMER: PEABODY STANDARD
DO NOT SCALE DRAWING				SITE/LOCATION: -
				SALES ORDER: SEE TABLE
				SIZE B DESC. 175 GAL PROCHEM® PROCESS TANK, Ø34" x 54.5" REV. C
				SCALE: 1:12 SHEET 1 OF 1