



NSF/ANSI 61

WHERE QUALITY COMES FIRST



Easy-Pro

in-line thermal expansion tanks

■ general features

Zilmet has over 50 years of experience in manufacturing high quality diaphragm expansion tanks

- *Over 2 million square feet of production space*
- *Produces over 7 million tanks and 1 million heat exchangers annually*
- *Fully vertically integrated, designing and manufacturing all diaphragms internally*

Zilmet has created a compact design with a seamless diaphragm that never scratches or creases

- *There are no bubbles or corners to trap sediment, inhibiting bacterial growth*
- *International approvals to use with potable water to include NSF 61*

Zilmet Thermal Expansion Tanks for Hot Water Heaters

- *Prevent dangerous pressure build up*
- *Protect household appliances and fixtures*
- *Save energy and water*

technical features:

- *All tanks are NSF61 Certified*
- *Each tank is factory leak tested to ensure tank integrity*
- *MIG welding eliminated interior rough spots and sharp edges*
- *Exclusive polypropylene liner eliminates internal corrosion*
- *External baked epoxy-polyester coating provides a durable appliance like finish*
- *Protected pre charge valve eliminates potential leak path*
- *150 psi max pressure rating*

ZEP1
Stainless Steel
Thermal Expansion
Tank for on demand
 and POU water heaters
 with 2 gallons or less
 of total water volume

■ material description

description	material
shell	carbon steel
connection	stainless steel
fixed membrane	butyl
color	almond

■ operating conditions

max. operating pressure	150 psi
operating temperature	210 °F
factory precharge	40 psi

■ ZEP1 operating conditions

shell & color	Stainless Steel
max. operating pressure	150 psi
max. temperature	140 °F
factory precharge	50 psi



NSF/ANSI 61



■ technical and dimensional data

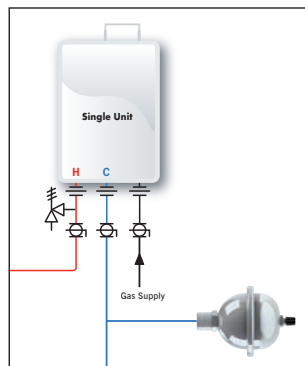
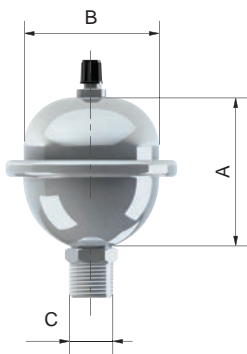
Model	Capacity gallons	Diameter inches(B)	Height inches(A)	Connection Size inches(C)	Max Acceptance Volume @ 40 psi gallons
ZEP1		3.5	4.6	½"	
ZEP5	2.1	7.9	11.0	¾"	1.4
ZEP12	4.8	10.6	13.7	¾"	3.3
ZEP18	6.3	11.8	15.4	¾"	4.3
ZEP104IL	9.2	15.0	14.6	1"	6.3
ZEP200IL	13.2	15.0	19.6	1"	9

■ quick sizing chart

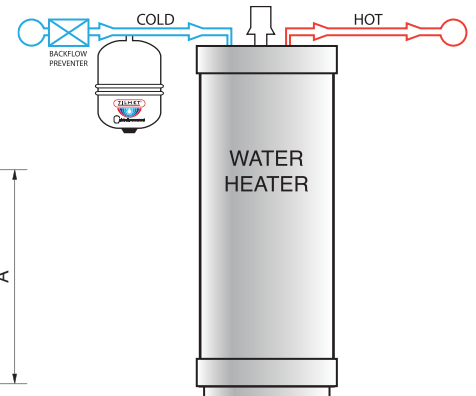
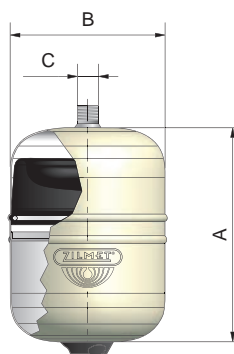
Applications up to 140°F			
Water Heater Size gallons	Supply pressure		
	40 psig	60 psig	80 psig
Tankless Water Heater with up to 2 gal of water	ZEP1	ZEP1	ZEP1
40	ZEP5	ZEP5	ZEP5
50	ZEP5	ZEP5	ZEP5
60	ZEP12	ZEP12	ZEP12
80	ZEP12	ZEP12	ZEP12
120	ZEP12	ZEP12	ZEP104IL
Applications up to 180F			
40	ZEP12	ZEP12	ZEP12
50	ZEP12	ZEP12	ZEP12
60	ZEP12	ZEP12	ZEP104IL
80	ZEP12	ZEP104IL	ZEP104IL
120	ZEP104IL	ZEP104IL	ZEP104IL

All thermal tanks must be properly sized and the pre-charge must be properly adjusted to equal the incoming water pressure.
Please consult the installation manual for more details.

ZEP1 DIMENSIONS



2.1-13.2 gallons IN LINE NO BASE



**North American
Headquarters Zilmet USA**
240 Commerce Park Road,
North Kingstown, RI 02852
401-884-4943
info@zilmetusa.com
www.zilmetusa.com

Headquarters
Via del Santo, 242 - 35010 Limena (PD) -
Italy Tel. +39 049 7664901 • Fax +39
049 767321
www.zilmet.it
zilmet@zilmet.it

Production plants - Italy
Limena (PD) Via del Santo, 242
Via Visco, 2 • Via Colpi, 30
Via Tamburin, 15/17
Bagnoli di Sopra (PD) - Via V Strada,
21/23

Branches
Zilmet Deutschland
GmbH www.zilmet.de
Zilmet USA
www.zilmetusa.com
Zilmet UK
www.zilmet.co.uk