



WHERE QUALITY COMES FIRST

Hydro-Plus *Bottom Connection Well Tank*



technical features:

- 150 PSI Rated
- All Weather Epoxy-polyester Powder Coated Paint
- SS Connector
- Polypropylene Base for All Weather Applications
- 5 year warranty on all models

(HydroPlus BC)

■ **material description**

description	material
shell	carbon steel
connection	stainless steel
fixed membrane	butyl**
material of base	polypropylene
tank color	blue
base color	grey

** for potable water applications

■ **operating conditions**

max. operating pressure	150 psi
operating temperature	210 °F
factory precharge	38 psi

technical and dimensional data

Model	Capacity gallons	Diameter inches (D)	Height inches (H)	Base Diameter inches (B)	Connection Height inches (E)	Connection Size NPT (C)	Precharge psi
ZHP202BC	21.1	17.7	26.9	16.8	1.6	1"	38
ZHP202BVBC	21.1	17.7	27.9	16.8	1.6	1"	38
ZHP203BC	27.7	17.7	29.2	16.8	1.6	1 1/4"	38
ZHP34BC	34.1	19.7	33.9	16.8	1.6	1 1/4"	38
ZHP204BC	39.6	19.7	38.3	16.8	1.6	1 1/4"	38
ZHP250BC	54.7	19.7	49.7	16.8	1.6	1 1/4"	38
ZHP302BC	79.3	24.8	46.9	21.75	2.1	1 1/4"	38
ZHP351BC	119.0	24.8	65.9	21.75	2.1	1 1/4"	38

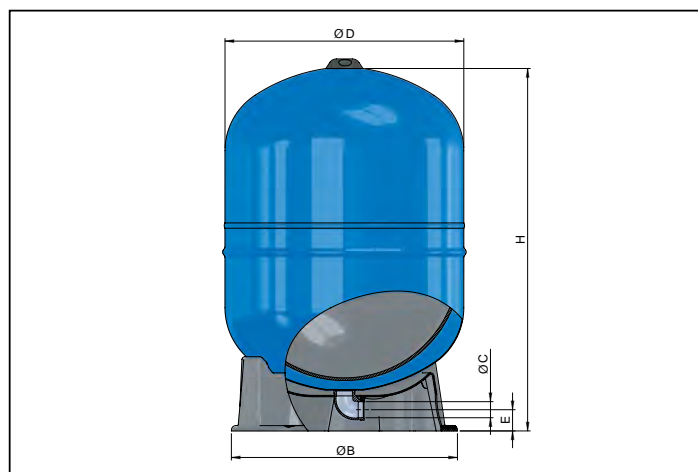
Model	System Drawdown	
	30-50 psi	40-60 psi
ZHP202BC/ZHP202BVBC	7.2	6.2
ZHP203BC	9.5	8.2
ZHP34BC	11.6	10.1
ZHP204BC	13.5	11.7
ZHP250BC	18.6	16.1
ZHP302BC	27.0	23.4
ZHP351BC	40.6	35.1

zilmel well tank sizing chart

Gallons per Minute GPM	30/50 psig		40/60 psig	
	1 min	2 min	1 min	2 min
5	ZHP202BC/202BVBC	ZHP34BC	ZHP202BC/202BVBC	ZHP34BC
10	ZHP34BC	ZHP250BC	ZHP34BC	ZHP302BC
12	ZHP204BC	ZHP302BC	ZHP204BC	ZHP302BC
15	ZHP204BC	ZHP302BC	ZHP250BC	ZHP351BC
20	ZHP250BC	ZHP351BC	ZHP302BC	ZHP302BC (2)
25	ZHP302BC	ZHP302BC (2)	ZHP302BC	ZHP302BC (2)
30	ZHP302BC	ZHP302BC (2)	ZHP351BC	ZHP351BC (2)
35	ZHP351BC	ZHP351BC (2)	ZHP351BC	ZHP351BC (2)

* Use this chart to properly size your well tank to prevent excessive wear and tear on your well pump and to reduce energy consumption. (2) indicates - two tanks required.

technical drawing



North American Headquarters
Zilmel USA
 240 Commerce Park Road,
 North Kingstown, RI 02852
 Tel. 401-884-4943
 info@zilmetusa.com
 www.zilmetusa.com

Headquarters
 Via del Santo, 242 - 35010 Limena (PD) - Italy
 Tel. +39 049 7664901
 Fax +39 049 767321
 www.zilmel.it
 zilmel@zilmel.it

Production plants - Italy
 Limena (PD) Via del Santo, 242
 Via Visco, 2 • Via Colpi, 30
 Via Tamburin, 15/17
 Bagnoli di Sopra (PD) - Via V Strada, 21/23

Branches
 Zilmel Deutschland GmbH
 www.zilmel.de
 Zilmel USA
 www.zilmetusa.com
 Zilmel UK
 www.zilmel.co.uk