



CVL-2 Vertical Pump Spec Sheet

Product Features:

Thermal Protector: Single phase
 Insulation: F
 Protection: IP55

Working conditions:

Medium Temperature:
 Low temperature: -20~ + 70°C
 Standard model: +15~ + 70°C
 High Temperature: +70~ + 104°C
 Environmental Temperature: ≤ 50°C

- ☆ Stainless steel pump housing.
- ☆ Aluminum powder coated base plate
- ☆ Stainless steel impeller.



Coastal Water Filters, Inc.
 435 23rd St NW
 Naples, FL 34120
 P: 239-398-0967

www.coastalwaterfilters.com
info@coastalwaterfilters.com



技术参数列表

Technical parameter list

50Hz

泵型号 Model	CNP型号 Model	功率 Power P ₂ (kW)	流量 Q (m ³ /h)	1.0	1.2	1.6	2.0	2.4	2.8	3.2	3.5
CVL2-2	CDLF2-2	0.37	扬程 H (m)	16	15.5	14.5	13.5	12.5	11	9.5	8
CVL2-3	CDLF2-3	0.37		23	22.5	21	20	18.5	16	14	12
CVL2-4	CDLF2-4	0.55		32	31	30	28	26	23	20	16
CVL2-5	CDLF2-5	0.55		42.5	42	40	37	34.5	30	25	20
CVL2-6	CDLF2-6	0.75		51	50	47	44	41	36	30	24
CVL2-7	CDLF2-7	0.75		59	57	55	52	47	41	35	28
CVL2-9	CDLF2-9	1.1		72	71	67	63	58	51	44	36
CVL2-11	CDLF2-11	1.1		87	85	80	74	67	59	50	42
CVL2-13	CDLF2-13	1.5		106	104	99	90	81	71	60	51
CVL2-15	CDLF2-15	1.5		121	119	112	105	96	85	72	61
CVL2-18	CDLF2-18	2.2		143	139	133	125	116	105	91	78
CVL2-22	CDLF2-22	2.2		173	169	162	152	140	126	110	95
CVL2-26	CDLF2-26	3.0		206	201	191	180	170	155	133	118

60Hz

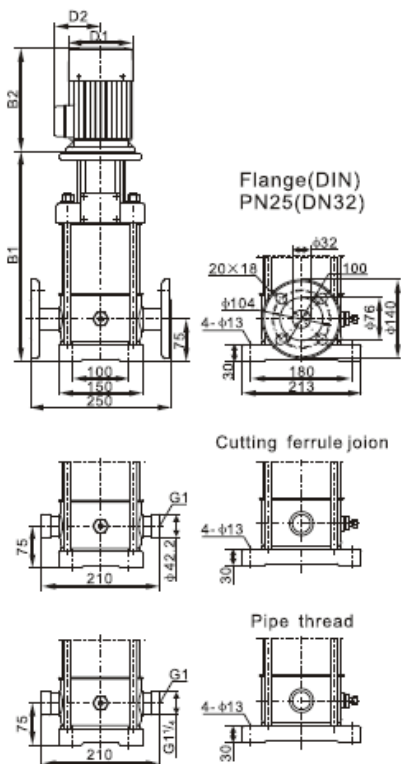
Model	CNP Model	Power P ₂ (kW)	Q (m ³ /h)	1.0	1.5	2.0	2.5	3.0	3.5	4.0	4.5
CVL2-2	CDLF2-2	0.55	H (m)	25	24	22	21	18	16	12	9
CVL2-3	CDLF2-3	0.75		38	35	33	31	27	24	19	15
CVL2-4	CDLF2-4	1.1		50	47	44	42	36	32	26	20
CVL2-5	CDLF2-5	1.1		63	59	55	52	45	40	32	25
CVL2-6	CDLF2-6	1.1		75	70	66	63	54	48	40	30
CVL2-7	CDLF2-7	1.5		88	82	77	74	63	56	47	35
CVL2-9	CDLF2-9	2.2		113	106	99	95	81	72	59	45
CVL2-11	CDLF2-11	2.2		138	129	121	115	99	88	75	56
CVL2-13	CDLF2-13	3.0		163	153	143	136	117	104	90	66
CVL2-15	CDLF2-15	3.0		188	177	165	158	135	120	103	77
CVL2-18	CDLF2-18	4.0		225	212	198	190	162	144	126	94



安装外形图

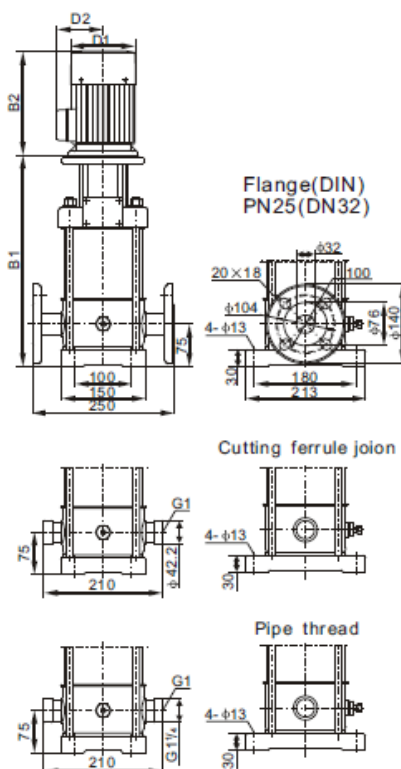
Overall dimension

50Hz



泵型号 Model	尺寸/Dimensions(mm)					重量 Weight (kg)
	B1	B2	B1+B2	D1	D2	
CVL2-2	272	205	477	133	126	20
CVL2-3	290	205	495	133	126	20
CVL2-4	308	205	513	133	126	22
CVL2-5	326	205	531	133	126	22
CVL2-6	344	205	549	133	126	24
CVL2-7	362	205	567	133	126	24
CVL2-9	406	241	647	154	134	26
CVL2-11	442	241	683	154	134	26
CVL2-13	488	296	784	170	116	28
CVL2-15	524	296	820	170	116	28
CVL2-18	560	296	856	170	116	34
CVL2-22	632	296	928	170	116	37
CVL2-26	704	296	1000	170	116	44

60Hz



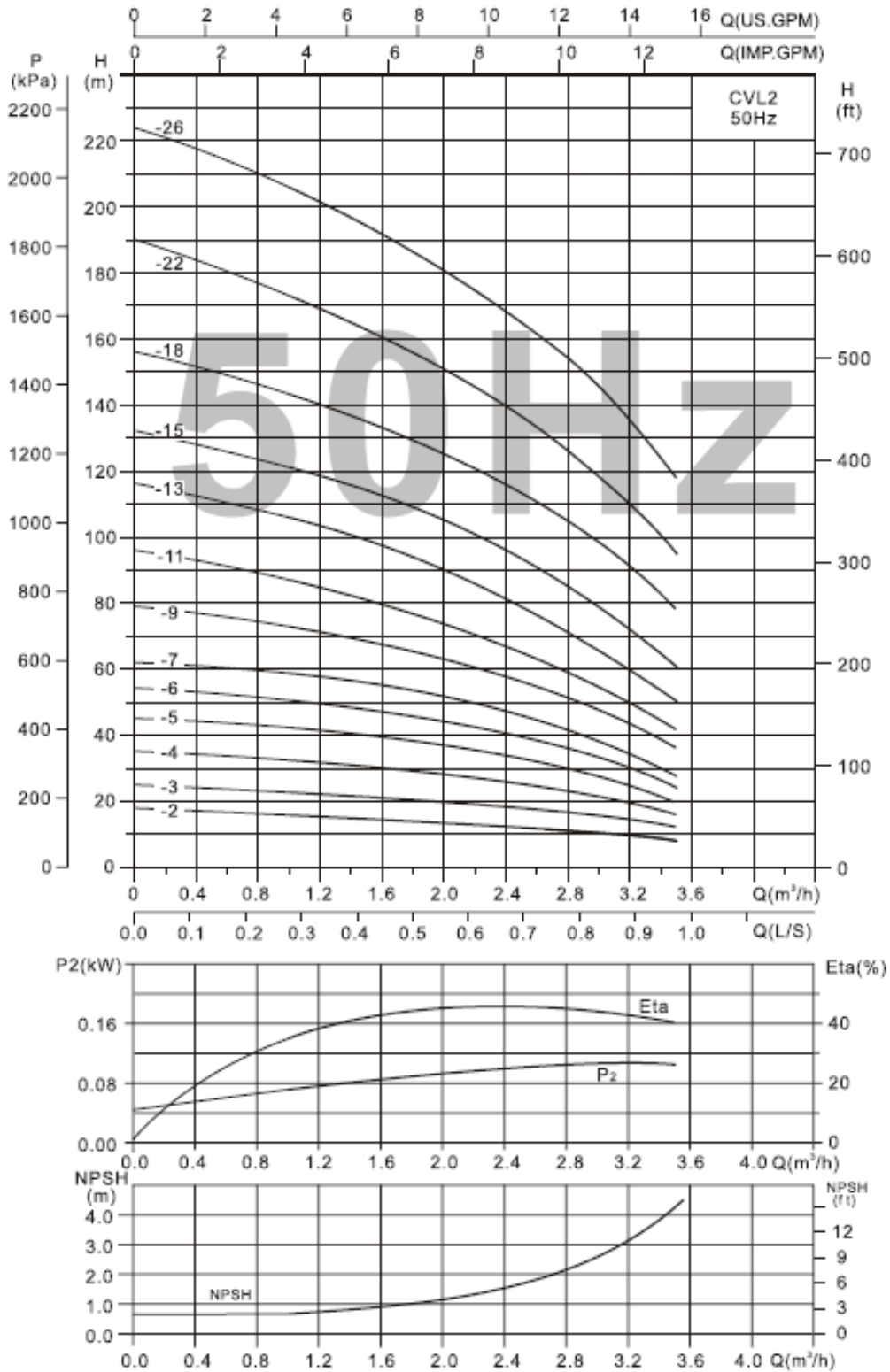
Model	Dimensions(mm)					Weight (kg)
	B1	B2	B1+B2	D1	D2	
CVL2-2	272	205	477	133	126	22
CVL2-3	290	205	495	133	126	22
CVL2-4	316	241	557	154	134	24
CVL2-5	334	241	575	154	134	25
CVL2-6	352	241	593	154	34	27
CVL2-7	380	296	676	170	116	28
CVL2-9	416	296	712	170	116	32
CVL2-11	452	296	748	170	116	33
CVL2-13	488	296	784	170	116	38
CVL2-15	524	296	820	170	116	40
CVL2-18	593	323	916	200	142	42





Ozmosis

性能曲线 Performance curves



Coastal Water Filters, Inc.
435 23rd St NW
Naples, FL 34120
P: 239-398-0967

www.coastalwaterfilters.com
info@coastalwaterfilters.com



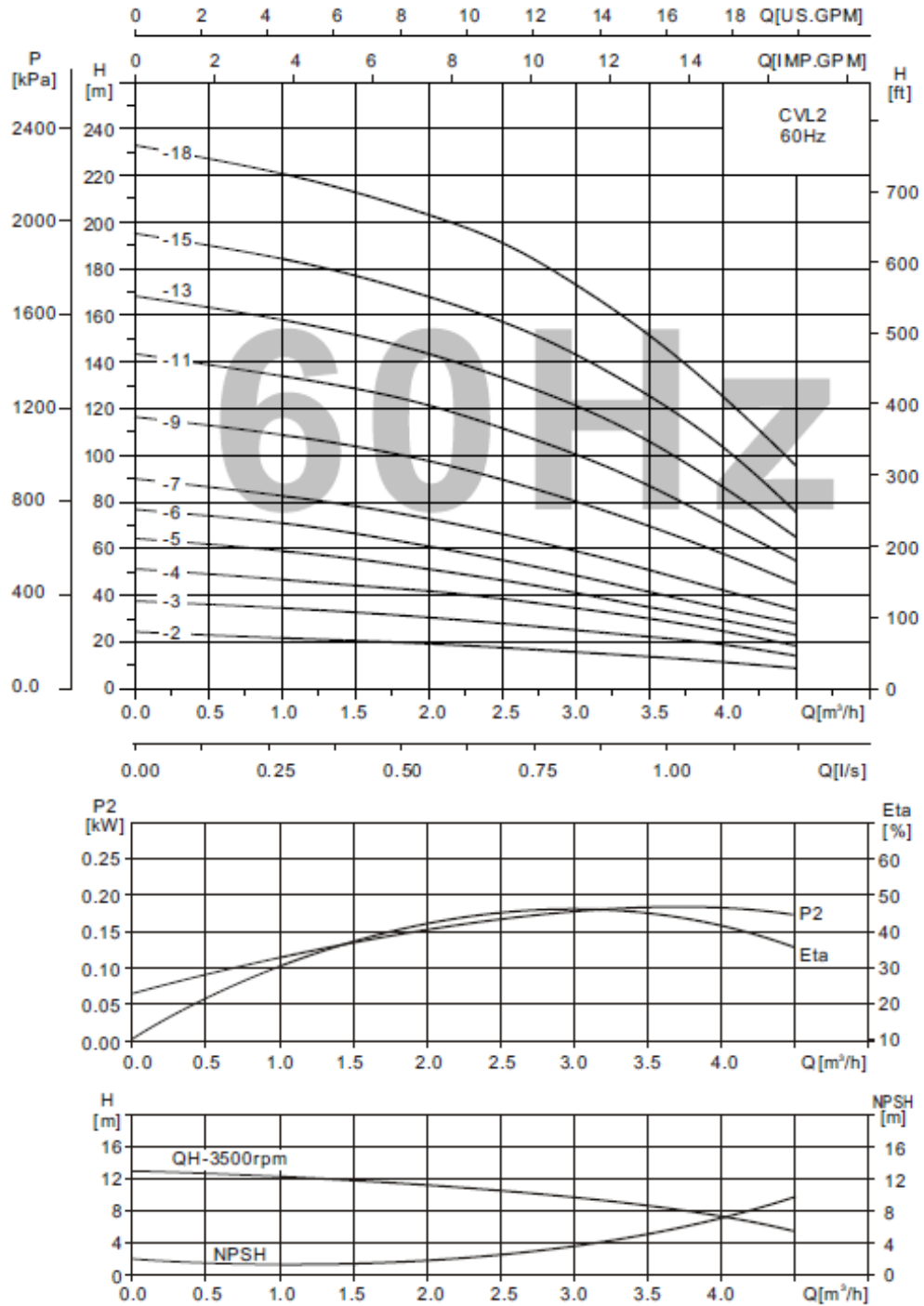
Ozmosis



Ozmosis

性能曲线

Performance curves



Coastal Water Filters, Inc.
435 23rd St NW
Naples, FL 34120
P: 239-398-0967

www.coastalwaterfilters.com
info@coastalwaterfilters.com



Ozmosis



Ozmosis

产品应用

Product applications



空调、冷却系统
Air-condition or cooling system



工业清洗
Industrial washing



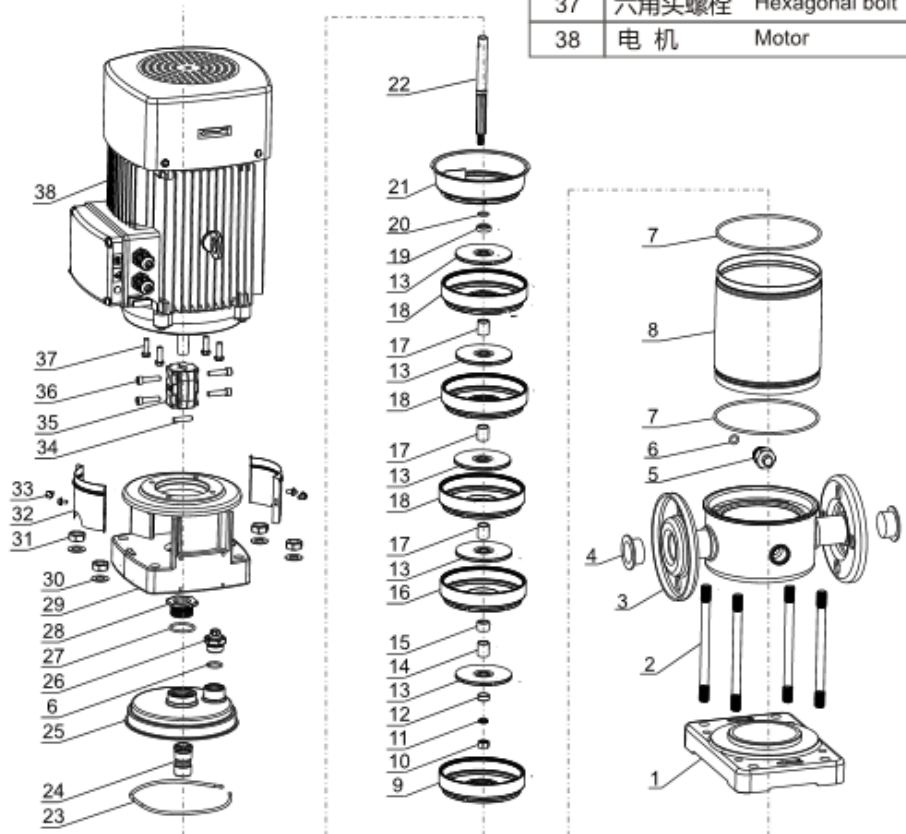
楼层增压供水
Floors of pressurized water supply

产品爆炸图

Exploded view

序号 NO.	名称 Name
1	底座 Base
2	双头螺栓 Two-head bolt
3	泵壳组件 Pump housing component
4	防尘盖 Dust cap
5	放水阀组件 Drain valve assembly
6	O形圈 O-Ring
7	O形圈 O-Ring
8	外筒 Housing
9	进水段 Inlet section
10	锁紧螺母 Locked Nut
11	弹簧垫圈 Spring washer
12	叶轮压套 Impeller Fix Ring
13	叶轮 Impeller
14	短轴套 Short sleeve
15	轴承套 Bearing sleeve
16	带轴承中段 Diffusor with bearing
17	长轴套 Long sleeve
18	中段体组件 Middle section
19	卡环座 Snap-ring seat
20	卡环 Snap-ring
21	出水段 Outlet Section
22	转轴 Pump shaft
23	弹性圈 Elastic ring
24	机械密封 Mechanical Seal
25	泵盖组件 Pump cover assembling
26	放气阀 Release valve
27	O形圈 O-Ring
28	密封压盖 Gland
29	马达座 Motor base
30	平垫圈 Washer

序号 NO.	名称 Name
31	六角头螺母 Hexagonal Nut
32	防护盖 Protective cover
33	十字头盘头螺钉、弹簧垫圈和平垫组合件 Cross recessed pan head screw and washer assemblies
34	圆柱销 Cylindrical pin
35	联轴器 Coupling
36	内六角圆柱头螺钉 Hexagon socket head cap screw
37	六角头螺栓 Hexagonal bolt
38	电机 Motor



Coastal Water Filters, Inc.
435 23rd St NW
Naples, FL 34120
P: 239-398-0967

www.coastalwaterfilters.com
info@coastalwaterfilters.com



Ozmosis