



**Product Features:**

Thermal protector: single phase  
 Insulation: F  
 Protection: IP55

## CVL-3 Vertical Pump Spec Sheet

**Working Conditions:**

Medium Temperature:  
 Low Temperature: -20~ + 70°C  
 Standard model: +15~ + 70°C  
 High Temperature: +70~ + 104°C  
 Environmental Temperature: ≤ 50°C

- ☆ Stainless steel pump housing.
- ☆ Aluminum powder coated base plate
- ☆ Stainless steel impeller.





# Ozmosis

## 技术参数列表

## Technical parameter list

### 50Hz

泵型号 Model	CNP型号 Model	功率 Power P <sub>2</sub> (kW)	流量 Q (m <sup>3</sup> /h)	1.2	1.6	2.0	2.4	2.8	3.0	3.2	3.4	3.6	4.0
CVL3-2	CDLF3-2	0.37	扬程 H (m)	12	11.3	10.5	10	9	8.5	8	7.5	7	6
CVL3-3	CDLF3-3	0.37		18	17	16	15	14	13	12	11	10	8
CVL3-4	CDLF3-4	0.37		24	23	21.5	20	18.5	17.5	16.5	15	13.5	11
CVL3-5	CDLF3-5	0.37		30	28.5	27	25	23	22	20.5	19	17.5	14
CVL3-6	CDLF3-6	0.55		36	34	32	30	28	26	24	22	20	16.5
CVL3-7	CDLF3-7	0.55		42	40.5	39	36	33	30.5	28.5	26	24	19.5
CVL3-8	CDLF3-8	0.75		48	46	44	41	37	35	32.5	30	27	22.5
CVL3-9	CDLF3-9	0.75		53	51	49	46	41.5	39	37	34	32	26
CVL3-10	CDLF3-10	0.75		59	57	55	51	46	43	41	37	34	28
CVL3-11	CDLF3-11	1.1		65	62.5	60	56	51	48	45	42	38	30.5
CVL3-12	CDLF3-12	1.1		71	68	66	61	55	52	49	45.5	42	34
CVL3-13	CDLF3-13	1.1		77	74	71	66	60	57	53	50	46	37
CVL3-15	CDLF3-15	1.1		88	85	82	77	72	68.5	64	60	55	44
CVL3-17	CDLF3-17	1.5		100	97	93	88	83	79	74	69	64	52
CVL3-19	CDLF3-19	1.5		112	108	104	98	92	88	83	77	71	58
CVL3-21	CDLF3-21	2.2		123	119	115	108	102	97	92	86	79	65
CVL3-23	CDLF3-23	2.2		134	130	125	119	110	105	100	94	86	72
CVL3-25	CDLF3-25	2.2		146	141	135	128	118	113	108	102	94	79
CVL3-27	CDLF3-27	2.2		158	152	146	138	129	123	117	110	103	86
CVL3-29	CDLF3-29	2.2		169	163	156	147	137	132	125	118	111	93
CVL3-31	CDLF3-31	3.0		180	174	167	157	147	141	134	126	118	100
CVL3-33	CDLF3-33	3.0		191	186	178	168	157	150	143	135	127	108
CVL3-36	CDLF3-36	3.0		209	203	194	184	173	166	159	151	143	122

### 60Hz

Model	CNP Model	Power P <sub>2</sub> (kW)	Q (m <sup>3</sup> /h)	1.5	2.0	2.5	3.0	3.5	4.0	4.5	5.0
CVL3-2	CDLF3-2	0.37	H (m)	17.5	17	16	15	13.5	12	10	7.5
CVL3-3	CDLF3-3	0.55		26	25	24	22.5	20	18	15	11.5
CVL3-4	CDLF3-4	0.55		35	34	32	30	27	24	20	15
CVL3-5	CDLF3-5	0.75		43	42	40	38	34	30	25	19
CVL3-6	CDLF3-6	1.1		52	50	48	45	41	36	30	23
CVL3-7	CDLF3-7	1.1		61	58	56	53	47	42	35	27
CVL3-8	CDLF3-8	1.1		70	67	64	60	54	48	40	30
CVL3-9	CDLF3-9	1.5		78	75	72	68	61	54	45	34
CVL3-10	CDLF3-10	1.5		87	84	80	75	68	60	50	38
CVL3-11	CDLF3-11	1.5		96	92	88	83	75	66	55	42
CVL3-12	CDLF3-12	2.2		105	101	97	91	82	73	60	46
CVL3-13	CDLF3-13	2.2		114	109	104	98	88	49	65	50
CVL3-15	CDLF3-15	2.2		131	126	120	114	102	91	75	57
CVL3-17	CDLF3-17	2.2		148	143	136	129	115	103	85	65
CVL3-19	CDLF3-19	3.0		166	160	152	144	129	115	95	73
CVL3-21	CDLF3-21	3.0		184	176	168	159	143	127	105	80
CVL3-23	CDLF3-23	3.0		201	193	184	174	156	139	115	88
CVL3-25	CDLF3-25	4.0		218	210	200	190	170	151	125	96



Coastal Water Filters, Inc.  
435 23rd St NW  
Naples, FL 34120  
P: 239-398-0967

www.coastalwaterfilters.com  
info@coastalwaterfilters.com



# Ozmosis

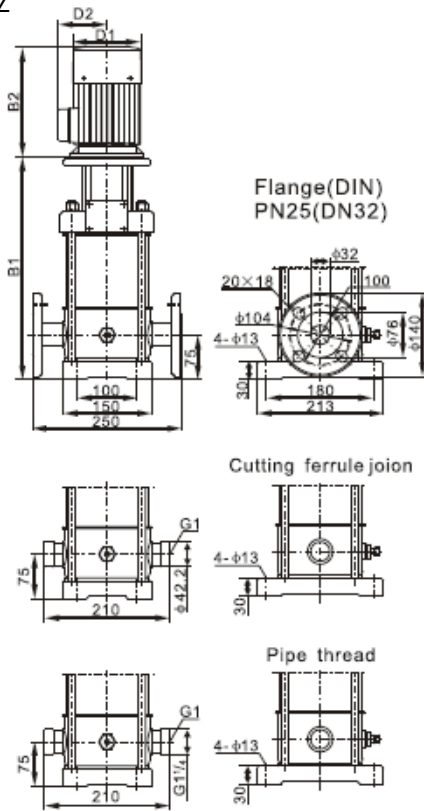


# Ozmosis

## 安装外形图

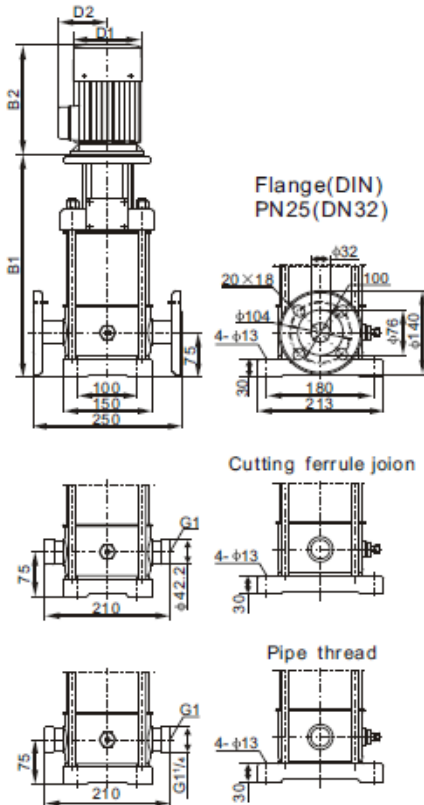
### Overall dimension

50Hz



泵型号 Model	尺寸/Dimensions(mm)					重量 Weight (kg)
	B1	B2	B1+B2	D1	D2	
CVL3-2	272	205	477	133	126	19
CVL3-3	290	205	495	133	126	19
CVL3-4	308	205	513	133	126	20
CVL3-5	326	205	531	133	126	20
CVL3-6	344	205	549	133	126	21
CVL3-7	362	205	567	133	126	21
CVL3-8	380	205	585	133	126	22
CVL3-9	398	205	603	133	126	23
CVL3-10	416	205	621	133	126	24
CVL3-11	442	241	683	154	134	26
CVL3-12	460	241	701	154	134	26
CVL3-13	478	241	719	154	134	27
CVL3-15	514	241	755	154	134	28
CVL3-17	560	296	856	170	117	33
CVL3-19	596	296	892	170	117	34
CVL3-21	632	296	928	170	117	37
CVL3-23	668	296	964	170	117	38
CVL3-25	704	296	1000	170	117	39
CVL3-27	740	296	1036	170	117	40
CVL3-29	776	296	1072	170	117	41
CVL3-31	812	296	1108	170	117	46
CVL3-33	848	296	1144	170	117	47
CVL3-36	902	296	1198	170	117	49

60Hz



Model	Dimensions(mm)					Weight (kg)
	B1	B2	B1+B2	D1	D2	
CVL3-2	272	205	477	133	126	19
CVL3-3	290	205	495	133	126	20
CVL3-4	308	205	513	133	126	21
CVL3-5	326	205	531	133	126	22
CVL3-6	362	241	603	154	134	24
CVL3-7	380	241	621	154	134	24
CVL3-8	398	241	639	154	134	24
CVL3-9	426	296	722	170	116	28
CVL3-10	444	296	740	170	116	28
CVL3-11	462	296	758	170	116	29
CVL3-12	480	296	776	170	116	34
CVL3-13	498	296	794	170	116	34
CVL3-15	534	296	830	170	116	35
CVL3-17	570	296	866	170	116	37
CVL3-19	606	296	902	170	116	40
CVL3-21	642	296	938	170	116	41
CVL3-23	678	296	974	170	116	42
CVL3-25	714	323	1037	170	142	47



Coastal Water Filters, Inc.  
435 23rd St NW  
Naples, FL 34120  
P: 239-398-0967

www.coastalwaterfilters.com  
info@coastalwaterfilters.com



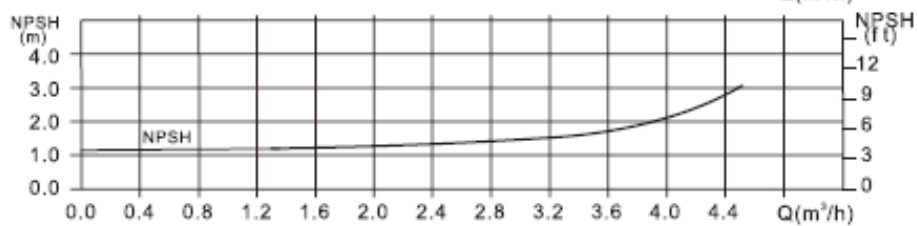
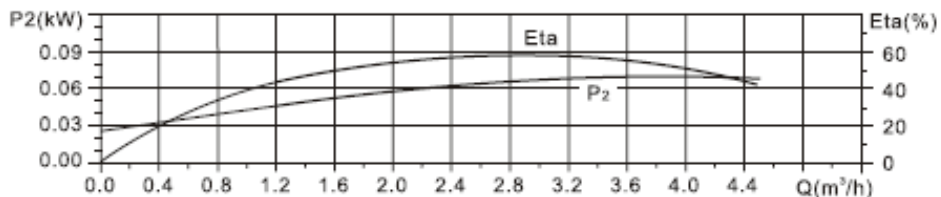
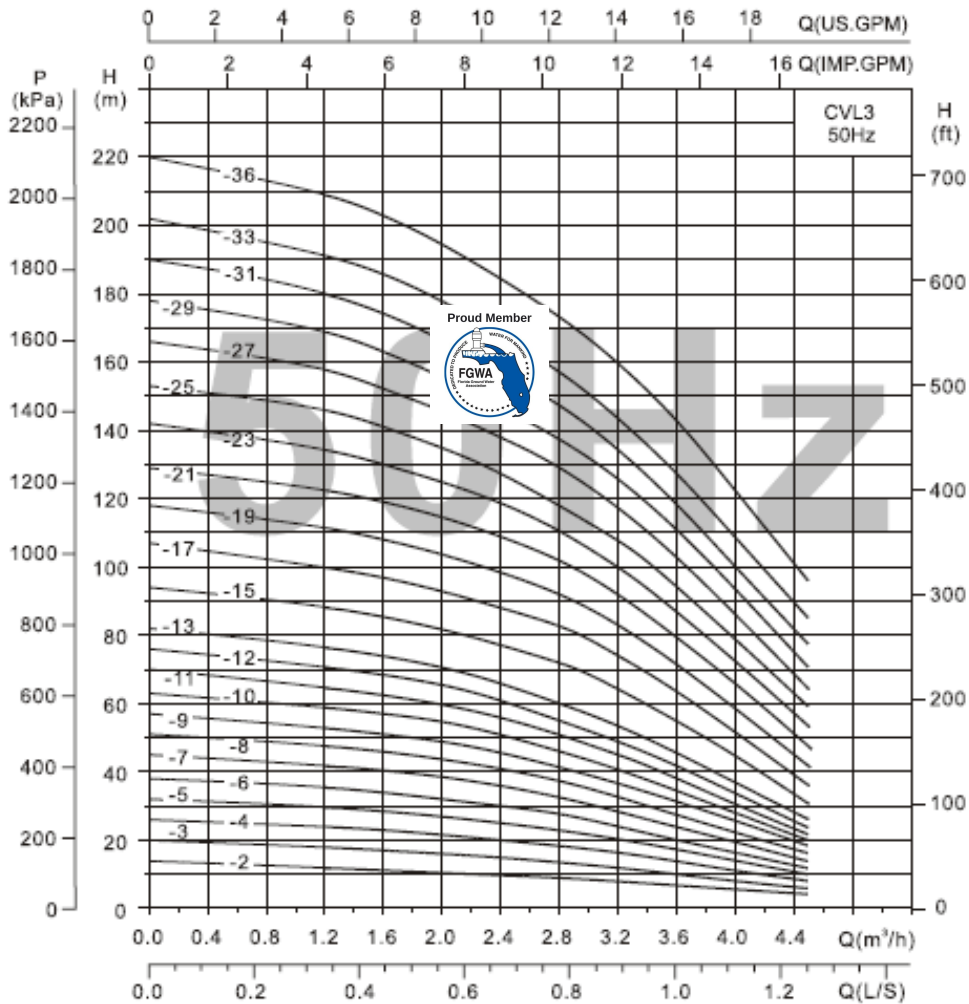
# Ozmosis



# Ozmosis

## 性能曲线

Performance curves



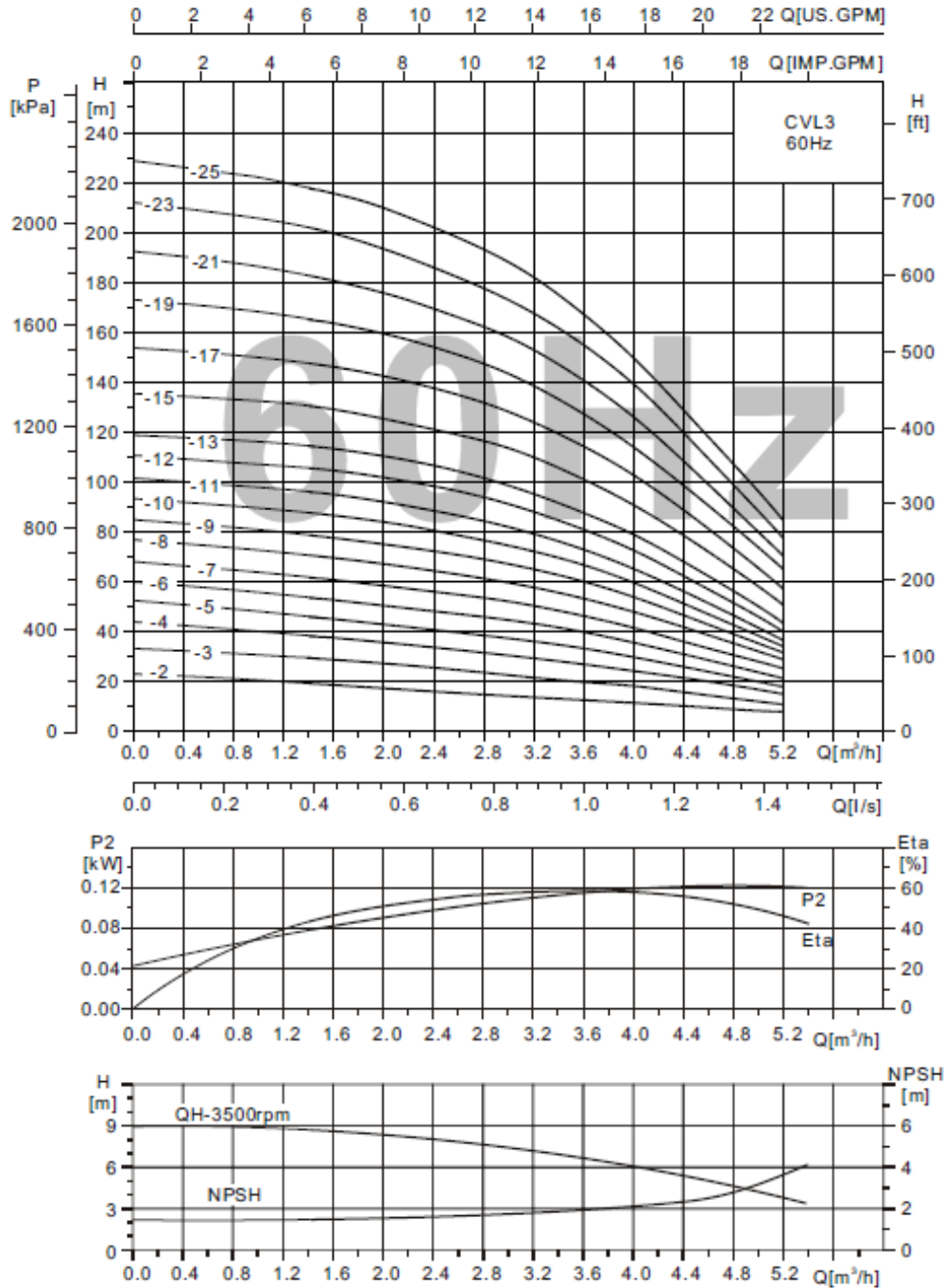
Coastal Water Filters, Inc.  
435 23rd St NW  
Naples, FL 34120  
P: 239-398-0967

[www.coastalwaterfilters.com](http://www.coastalwaterfilters.com)  
[info@coastalwaterfilters.com](mailto:info@coastalwaterfilters.com)



# Ozmosis

性能曲线  
Performance curves



## 产品应用

### Product applications



空调、冷却系统  
Air-condition or cooling system



工业清洗  
Industrial washing

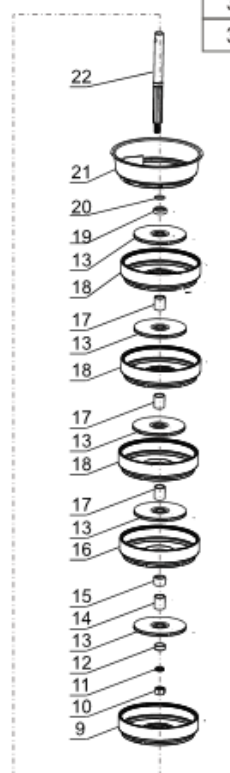
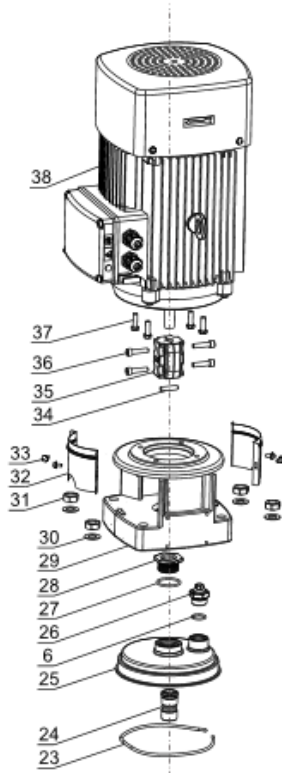


楼层增压供水  
Floors of pressurized water supply

## 产品爆炸图

### Exploded view

序号 NO.	名称 Name
1	底座 Base
2	双头螺栓 Two-head bolt
3	泵壳组件 Pump housing component
4	防尘盖 Dust cap
5	放水阀组件 Drain valve assembly
6	O形圈 O-Ring
7	O形圈 O-Ring
8	外筒 Housing
9	进水段 Inlet section
10	锁紧螺母 Locked Nut
11	弹簧垫圈 Spring washer
12	叶轮压套 Impeller Fix Ring
13	叶轮 Impeller
14	短轴套 Short sleeve
15	轴承套 Bearing sleeve
16	带轴承中段 Diffusor with bearing
17	长轴套 Long sleeve
18	中段体组件 Middle section
19	卡环座 Snap-ring seat
20	卡环 Snap-ring
21	出水段 Outlet Section
22	转轴 Pump shaft
23	弹性圈 Elastic ring
24	机械密封 Mechanical Seal
25	泵盖组件 Pump cover assembling
26	放水阀 Release valve
27	O形圈 O-Ring
28	密封压盖 Gland
29	马达座 Motor base
30	平垫圈 Washer



序号 NO.	名称 Name
31	六角头螺母 Hexagonal Nut
32	防护盖 Protective cover
33	十字头盘头螺钉、弹簧垫圈和平垫圈组合件 Cross recessed pan head screw and washer assemblies
34	圆柱销 Cylindrical pin
35	联轴器 Coupling
36	内六角圆柱头螺钉 Hexagon socket head cap screw
37	六角头螺栓 Hexagonal bolt
38	电机 Motor

