

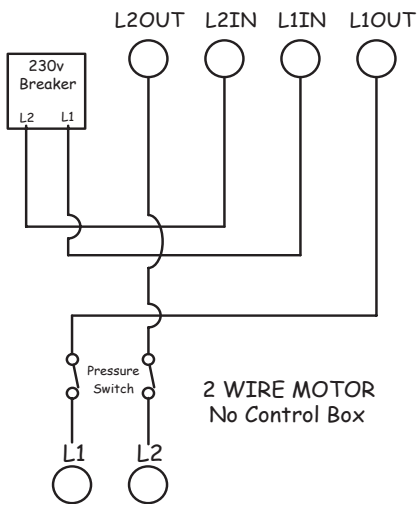
# Cycle Sensor



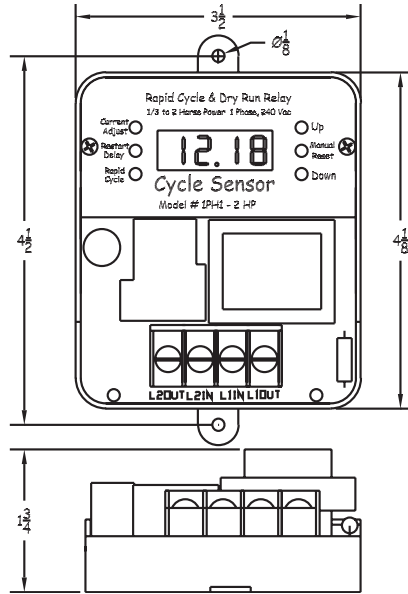
Wiring Diagrams 1PH - 1/3 to 2 HP - 240 VAC

## Wiring Diagram

240 VAC, 1 Phase Submersible Application

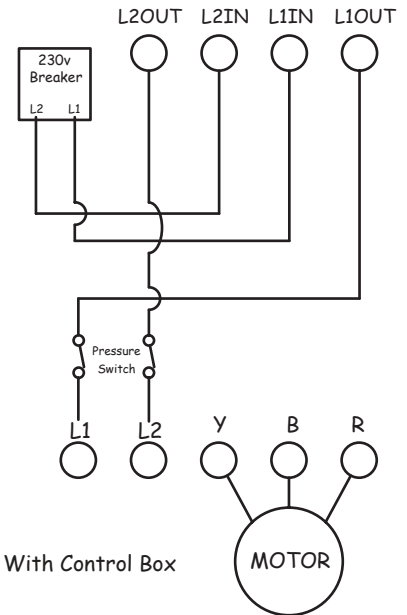


2 WIRE MOTOR  
No Control Box



## Wiring Diagram

240 VAC, 1 Phase Submersible Application



With Control Box



COASTAL WATER FILTERS  
WHOLESALE ONLY

Distributed by:  
**Coastal Water Filters, Inc**  
435 23rd St. NW  
Naples, FL 34120  
239-398-0967  
info@coastalwaterfilters.com

